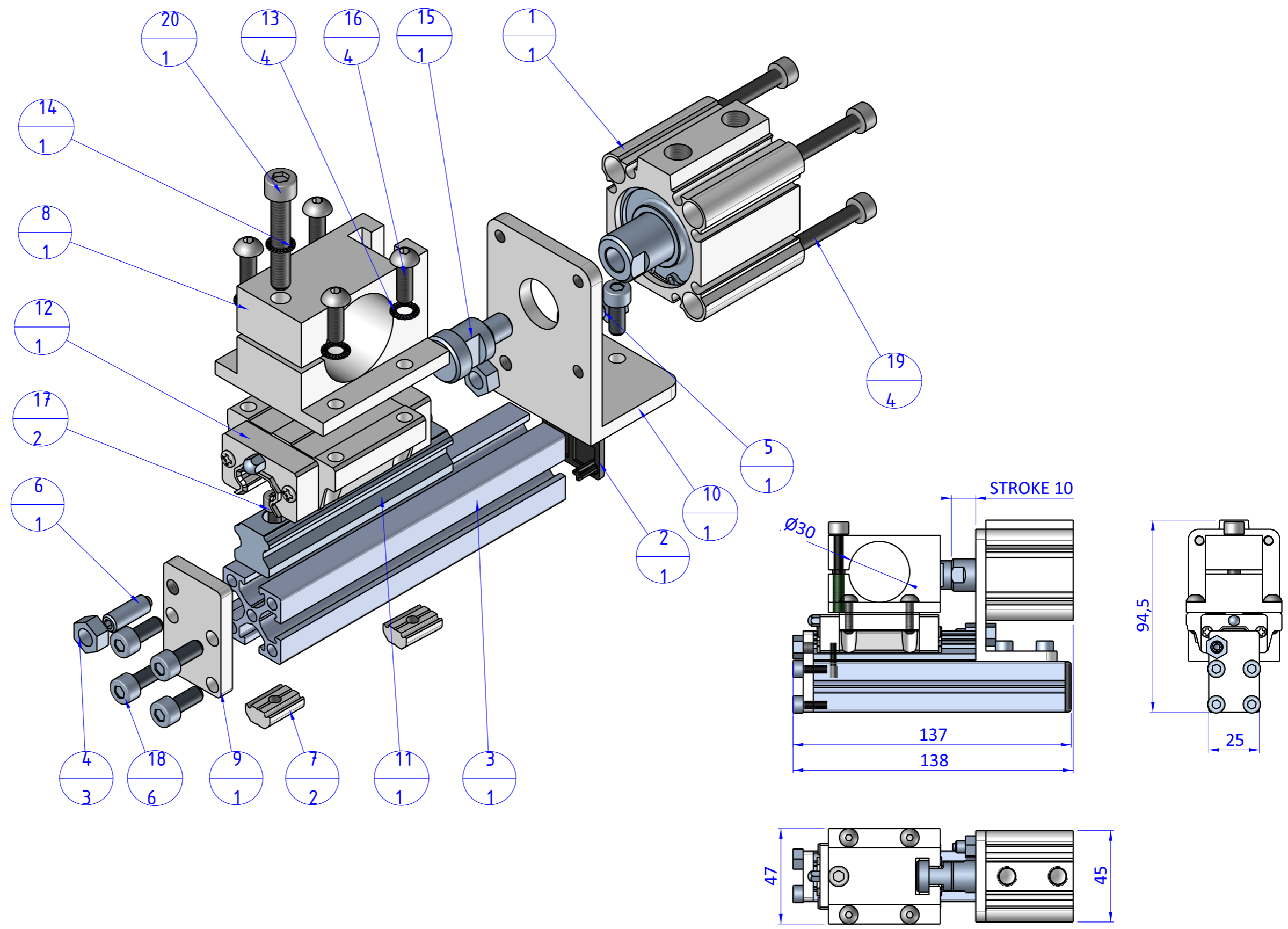



THE PROPERTY OF THE DRAWING IS ESTABLISHED BY LAW. IT IS FORBIDDEN TO PRODUCE OR SHOW IT TO THIRD PART WITHOUT A WRITTEN AGREEMENT.

Item	Name	Q.ty
1	CA.11.18.009	1
2	CA.ADK.X.2525.1	1
3	CA.X.2525.124	1
4	D.6	3
5	EL.GN.13722	1
6	EL.GN.13723	1
7	GWP.4U	2
8	HEH.30.01	1
9	HEH.30.02	1
10	HEH.30.03	1
11	HI.HGR15R80	1
12	HI.HGW15CCZ0H	1
13	R.5.SCH	4
14	R.6.SCH	1
15	SMC.YU-03	1
16	V.TBCE.5X16.BUTT	4
17	V.TCE4x16	2
18	V.TCE5x12	6
19	V.TCE5x40	4
20	V.TCE6x35	1



Format A3
UNI 936-76

 FPS FPSERVICES AUTOMATION		DESIGNED FROM		REVIEW
		FPS Automation		A
GENERAL TOLERANCE		DATE	WEIGHT	
UNI - ISO 2768		09/09/2021	0,427kg	
CLASSE f		CODE		
		CA.HEH.30.10		CA.HEH.30.10